



# SERIES 120

## ALL PURPOSE

## SPRING ISOLATORS

CATALOG NO. 81A-035-K



**Superior Isolation Efficiency:** Series "120" spring isolator provides static deflection of 1 inch. As a result, it eliminates bolting of equipment to floor in many applications, improves working conditions, reduces building and machine maintenance.

**Lateral Stability:** Elastomer cushioned housing provides damping and controls excessive horizontal movement.

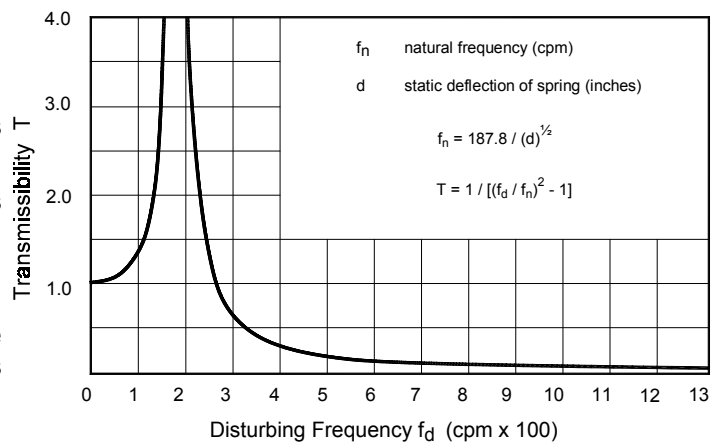
**Safe and Compact:** All welded steel housing assures strength and weight saving advantages.

**East to Install:** Built-in leveling bolt eliminates shimming in all applications, and saves installation cost.

**Effective Noise Reduction:** The elastomeric pad effectively interrupts structure-borne noise transmission paths to prevent noise amplifications caused by sounding-board effect.

**Variations Available:** Internal level adjustment, adjustable snubbers and special modifications are available.

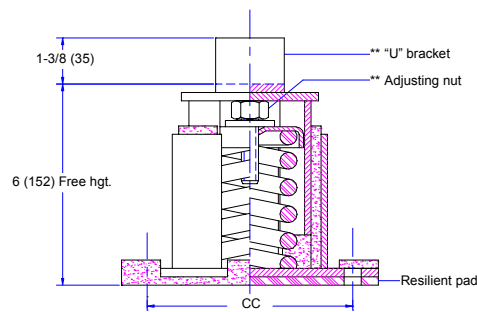
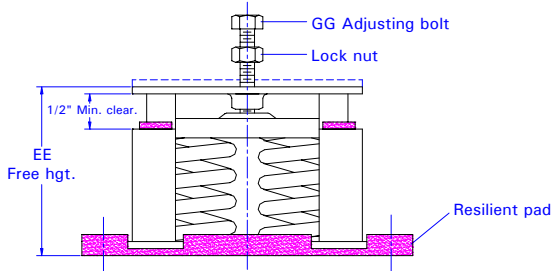
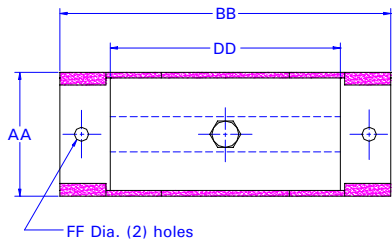
### TRANSMISSIBILITY vs FREQUENCY



# ACE MOUNTINGS CO., INC.

11 Cross Avenue  
 South Amboy, NJ 08879  
 Tel: (732)721-6200 Fax: (732)721-5005  
 Email: [acemount@att.net](mailto:acemount@att.net)  
 Website: [www.acemount.com](http://www.acemount.com)

# Dimensions • Load Rating • Installation Procedures



Type "1211"

\*\* The "U"-BRACKET and INTERNAL ADJUSTING features are designed for bases where anchor holes in the base can not be provided or are not accessible.

Type	Dimensions in Inches (mm)							Qty of Spring	Sh. Wt. (lbs)
	AA	BB	CC	DD	EE	FF	GG		
121 1208 1211	4 (102)	7-1/2 (191)	6 (152)	4 (102)	6 ± 1/2 (152 ± 13)	11/16" for 1/2 Bolt	5/8"-11 x 4	1	12
122 & 1209	4 (102)	11-1/2 (292)	10 (254)	8 (203)	6 ± 1/2 (152 ± 13)	11/16" for 1/2 Bolt	5/8"-11 x 4	2	18
124	6 (152)	14 (356)	12-1/2 (318)	10-1/2 (267)	6-1/2 ± 1/2 (165 ± 13)	11/16" for 5/8 Bolt	1"-8 x 5	4	32
126	8 (203)	18 (457)	15-1/2 (394)	14 (356)	7-3/4 ± 1/2 (197 ± 13)	13/16" for 3/4 Bolt	* x 5	6	48

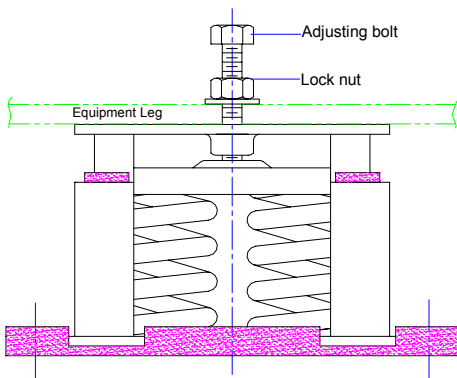
Note:

- 1208 is identical to 121, with a 1/4" spacer on top plate.  
1209 is identical to 122, with a 1/4" spacer on top plate.
- Max load shown are for static load. For dynamic load, do not exceed 70% of max load.
- \* Available in: 3/4"-10 x 5" and 1"-8 x 5"

Size	Color of Spring	121, 1208, & 1211		122 & 1209		124		126		Defl. (inches)
		Rate (lbs/in)	Max. Load (lbs)	Rate (lbs/in)	Max. Load (lbs)	Rate (lbs/in)	Max. Load (lbs)	Rate (lbs/in)	Max. Load (lbs)	
A	Gray	100	150	200	300	400	600	600	900	1.5
B	Tan	200	260	400	520	800	1040	1200	1560	1.3
C	Yellow	335	435	670	870	1340	1740	2010	2610	1.3
D	Green	500	550	1000	1100	2000	2200	3000	3300	1.1
E	Red	780	780	1560	1560	3120	3120	4680	4680	1.0
F	Silver	1070	1070	2140	2140	4280	4280	6420	6420	1.0
G	Brown	1400	1400	2800	2800	5600	5600	8400	8400	1.0
H	Black	1800	1800	3600	3600	7200	7200	10800	10800	1.0
K	Blk & *Yel	2500	2500	5000	5000	10000	10000	15000	15000	1.0

\* Inner spring

## INSTALLATION PROCEDURES



1. Position and secure isolators on a level surface under equipment leg.
2. insert adjusting bolt through equipment leg with lock nut in place and into threaded hole in isolator top housing.
3. Proceed to adjust isolators by turning adjusting bolt CW several turns at a time alternately on each isolator until equipment is raised uniformly. Then level as required.
4. Tighten lock nut firmly in place against the top of the equipment leg.
5. Isolators are now properly adjusted and ready for equipment to be operated.

# ACE MOUNTINGS CO., INC.

11 Cross Avenue  
 South Amboy, NJ 08879  
 Tel: (732)721-6200 Fax: (732)721-5005  
 Email: [acemount@att.net](mailto:acemount@att.net)  
 Website: [www.acemount.com](http://www.acemount.com)