

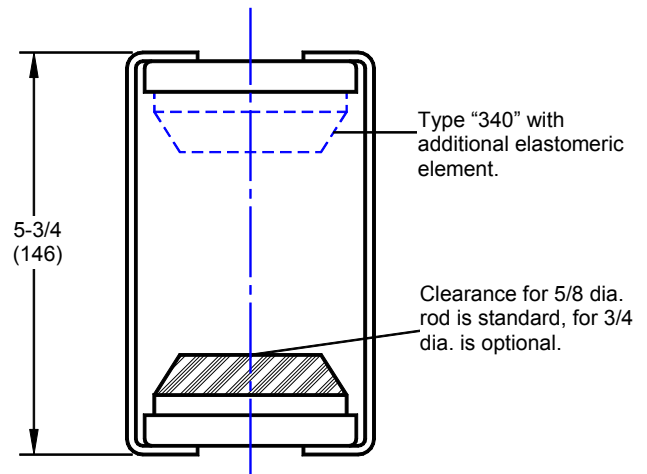
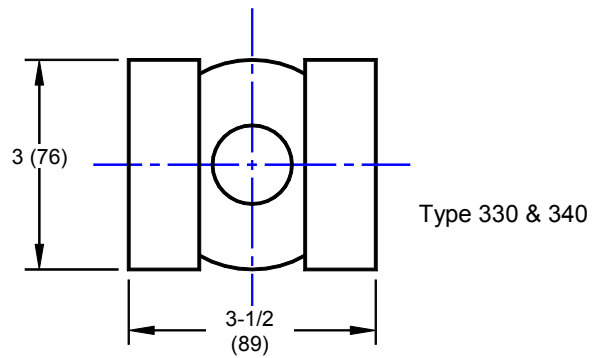


Series 330 & 340 Hangers

CATALOG NO. 90A-608-1-D

Type 330 hangers consist of a single elastomeric load element assembled into a welded steel hanger bracket. Large clearance hole in bracket allow the hanger rod a 15 degree misalignment. Type 330 hangers may be selected where space and cost must be minimized.

Type 340 hangers consist of two elastomeric elements in series assembled into a welded steel hanger bracket. Large clearance hole in bracket allow the hanger rod a 15 degree misalignment. Type 340 hangers provide higher isolation efficiency due to the deflections from both elastomeric elements.



Size	Max. load in lbs.	Deflection in Inches	
		330	340
A	200		
B	450	0.25	0.5
C	700		

Note: All dimensions are in inches (mm).

ACE MOUNTINGS CO., INC.

11 Cross Avenue
 South Amboy, NJ 08879
 Tel: (732)721-6200 Fax: (732)721-5005
 Email: acemount@att.net
 Website: www.acemount.com

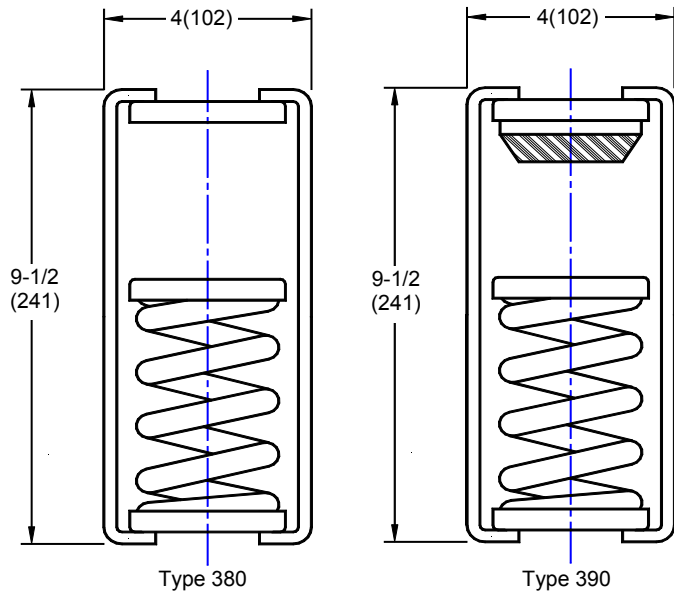


Series 380 & 390 Hangers

CATALOG NO. 90A-608-2-D

Type 380 hangers consist of high deflection stable spring element, upper and lower retaining cups, noise isolation pad, and welded steel hanger bracket. All spring element are color coded for easier identification and are designed to provide up to 50% overload capacity. Large clearance hole in bracket at spring will allow the hanger rod a 15 degree misalignment.

Type 390 hangers consist of high deflection stable spring element in series with an elastomeric insert, assembled into a welded steel hanger bracket with spring retaining cups, and noise isolation pad.



Note: 1. Clearance for a 5/8 dia. rod is standard, for a 3/4 dia. rod is optional.

2. All dimensions are in inches (mm).

Spring Size	Color	Max. Load in lbs.		Deflection in inches
		380	390	
AA	Light Green	50	50	1.0
A	Gray	150	150	1.5
B	Tan	260	260	1.3
C	Yellow	435	435	1.3
D	Green	550	550	1.1
E	Red	780	780	1.0
F	Silver	1070		1.0
G	Brown	1400		1.0
H	Black	1800		1.0

ACE MOUNTINGS CO., INC.

11 Cross Avenue
 South Amboy, NJ 08879
 Tel: (732)721-6200 Fax: (732)721-5005
 Email: acemount@att.net
 Website: www.acemount.com