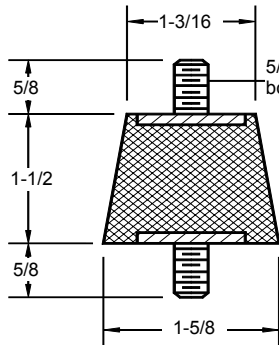
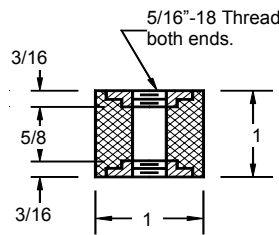


CYLINDRICAL MOUNTS



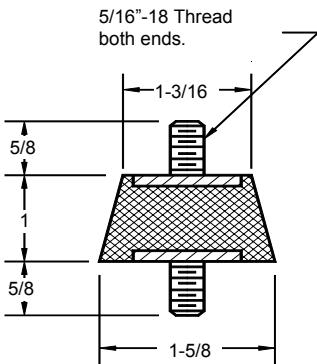
E1

Compression
60 lbs.
3/16 in.



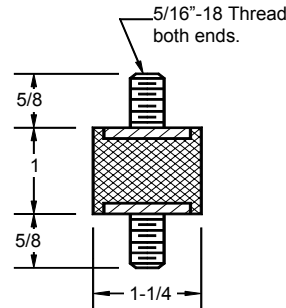
E4

Compression Shear
25 lbs. 10 lbs.
1/16 in. 5/32 in.



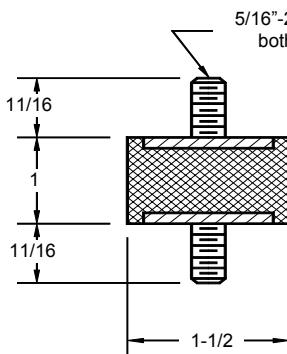
E2

Compression
100 lbs.
5/32 in.



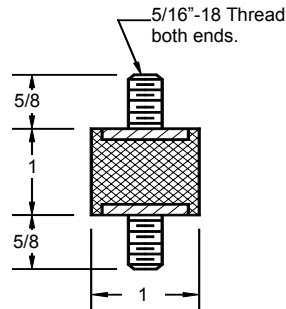
E1210

Compression Shear
65 lbs. 15 lbs.
1/8 in. 5/32 in.



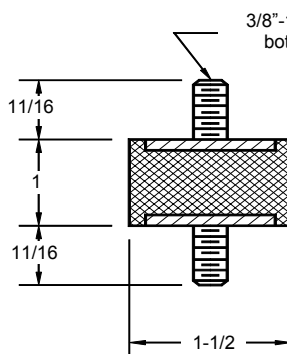
E3

Compression Shear
135 lbs. 40 lbs.
5/32 in. 1/4 in.



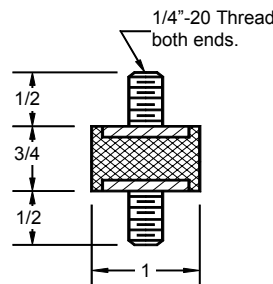
E5

Compression Shear
40 lbs. 10 lbs.
1/8 in. 5/32 in.



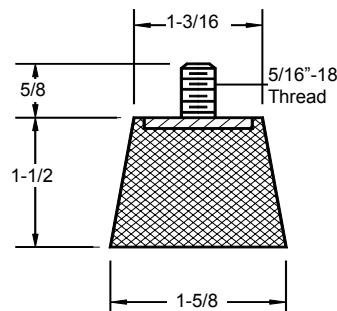
E3-1

Compression Shear
135 lbs. 40 lbs.
5/32 in. 1/4 in.



E6

Compression Shear
50 lbs. 10 lbs.
1/8 in. 1/8 in.



E7

Compression
60 lbs.
3/16 in.