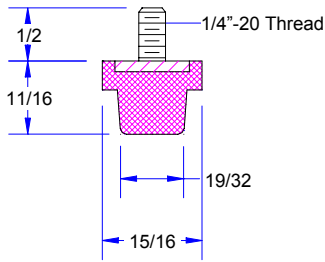


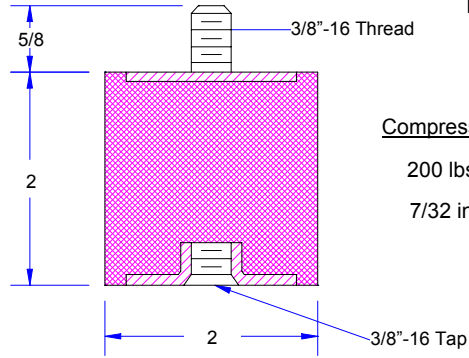
CYLINDRICAL MOUNTS



E25

Compression

25 lbs.
1/16 in.



E31

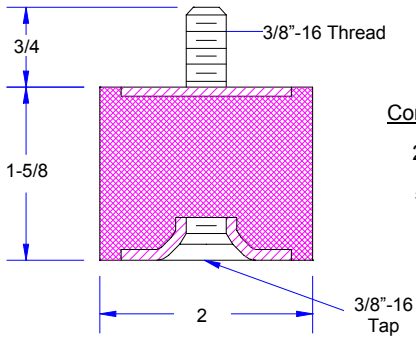
Compression

200 lbs.
7/32 in.

Shear

150 lbs.
1/2 in.

E30



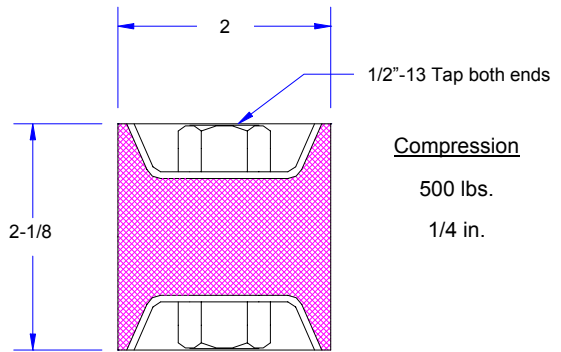
Compression

250 lbs.
5/32 in.

Shear

125 lbs.
1/2 in.

E40



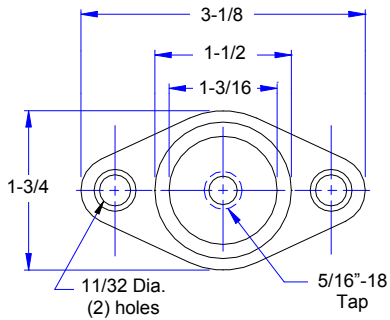
Compression

500 lbs.
1/4 in.

Shear

200 lbs.
1/2 in.

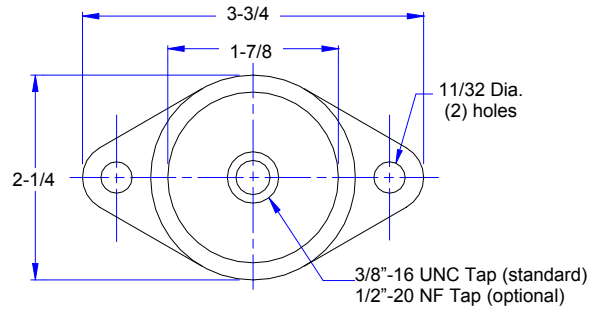
E11



Compression

<u>E11-A</u>	<u>E11-B</u>
37.5 lbs.	115 lbs.
0.10 in.	0.10 in.

E12



Compression

<u>E12-A</u>	<u>E12-B</u>	<u>E12-C</u>
100 lbs.	150 lbs.	175 lbs.
1/8 in.	1/8 in.	1/8 in.